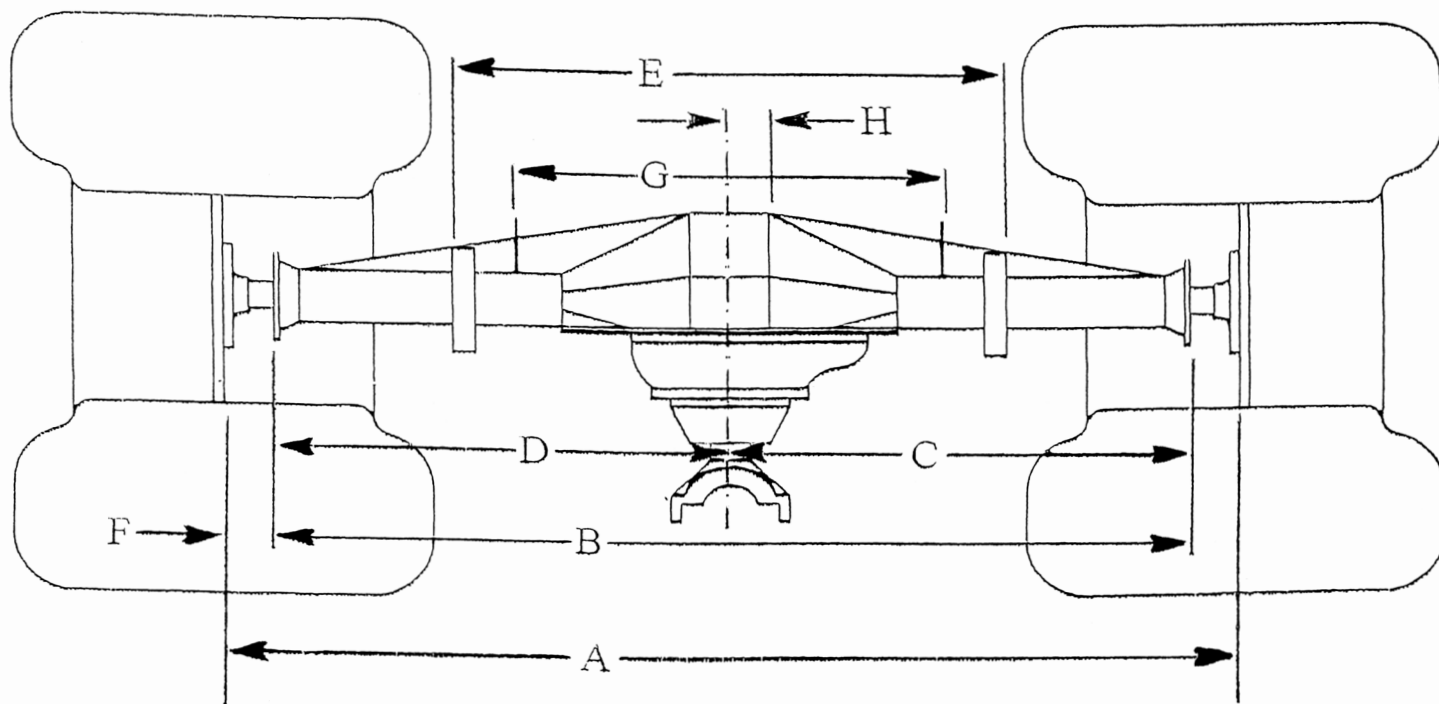


Rear Housing Spec Sheet

REAR END SPECIFICATIONS FOR CUSTOM ORDER



- _____ A) FROM INSIDE OF WHEEL TO INSIDE OF WHEEL, WHERE IT STOPS AGAINST THE BRAKES.
- _____ B) FROM OUTSIDE OF HOUSING END FLANGE TO OUTSIDE OF HOUSING END FLANGE.
- _____ C) PINION CENTER LINE TO DRIVER'S SIDE HOUSING END
- _____ D) PINION CENTER LINE TO PASSENGER'S SIDE HOUSING END
- _____ E) OUTSIDE TO OUTSIDE OF 4-LINK OR LADDER BAR BRACKETS
- _____ F) FROM OUTSIDE OF HOUSING END FLANGE, TO OUTSIDE OF AXLE FLANGE
- _____ G) CENTER LINE OF SHOCK / WHEELIE BAR BRACKETS
- _____ H) PINION CENTER LINE TO CHASSIS CENTER LINE

WHAT TYPE OF HOUSING ENDS ARE YOU USING? _____

WHAT SIZE BOLT DIAMETER ARE YOU USING FOR SUSPENSION? 1/2 5/8 3/4

IN RELATION TO DIMENSION E:

DO YOU HAVE LADDER BARS OR A 4-LINK? _____

HOW WIDE ARE THE BRACKETS IN-BETWEEN? _____

IN RELATION TO DIMENSION G:

ARE THESE BRACKETS FOR SHOCKS OR WHEELIE BARS? _____

HOW WIDE ARE THE BRACKETS IN-BETWEEN? _____

DIAMETER OF ROD END HOLE FOR BRACKETS: _____

