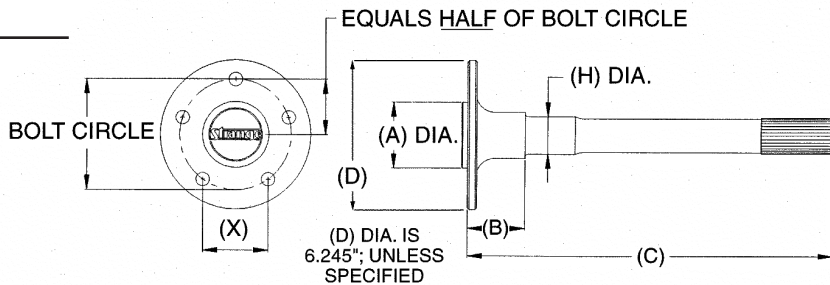


How-To-Order Axles

AXLES To place an order for axles please provide us with the information listed below. If an existing axle is unavailable for dimension (C)- complete the information for "Rear End/Housings" (below) and we will calculate the proper axle length. If you need assistance with any dimensions please call us. We will be happy to assist you in any way we can to ensure that you receive a proper fitting axle.

- Application (Drag, Street, Oval...) _____
- Type (Posi, Spool...) & Brand of Carrier _____
- Number of Axle Splines _____
- Bolt Circle(s) (B.C.) _____
(or **(X)** - 4 lug patterns also available)
- Screw-In Studs _____
(specify 1/2-20 or 5/8-18)
- Housing End Type _____
(see chart below)
- Type of Brakes _____
(be as specific as possible)
- Strange Axle Flange O.D. is **6.245"** Unless Otherwise Specified **(D)** _____



Driver Side (C) _____	Pass. Side (C) _____	"X" 2.645"	Bolt Circle 4.50"
(A) _____	(B) _____	(H) 2.792"	4.750"
(F) (See housing drawing below) _____		2.939"	5.00"
		3.233"	5.50"

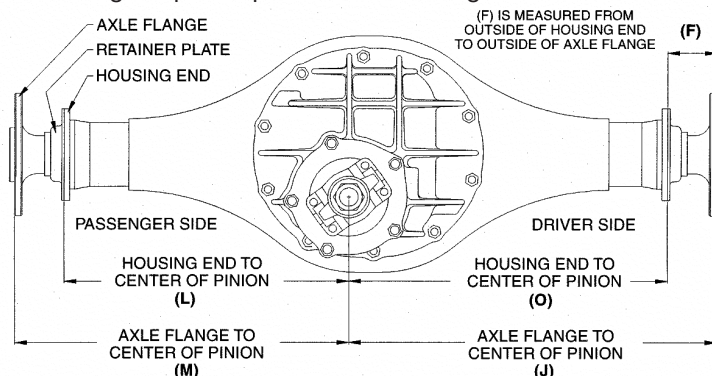
NOTES: (1) (B) dimension should be measured with the axle bearing removed. If you can not remove the axle bearing- Ensure that you supply a proper (F) dim.
(2) (H) Dimension is not necessary if receiving bearings from Strange.

REAR END/HOUSINGS Due to the wide variety of wheel widths, wheel offsets, tire sizes, and chassis designs, there is not a standard narrowed housing width for any car. To properly measure your car for a narrowed housing, position the wheels and tires in the wheel wells and measure between the wheel mounting surfaces.

To ensure proper driveshaft alignment, the pinion offset should be the same as the engine and driveshaft offset. Measure the distance between the transmission output shaft and the centerline of the body to determine this dimension (or see housing chart below).

To order a custom housing OR if you want us to calculate axle lengths- please provide the following information:

- Passenger Side Housing End to C.P. **(L)** _____
- Driver Side Housing End to C.P. **(O)** _____
- Housing End to Housing End **(L) + (O)** _____
- Passenger Side Axle Flange to C.P. **(J)** _____
- Driver Side Axle Flange to C.P. **(J)** _____
- Axle Flange to Axle Flange (Wheel to Wheel) equals **(M) + (J)** _____



NOTES: (1) Axle Flange to Axle Flange is measured from the OUTSIDE (Wheel Side) of the axle's flange to OUTSIDE (Wheel Side) of the opposite axle's flange. (2) If you have listed only housing end to housing end or axle flange to axle flange- you must specify pinion offset.

